

Chromalox®

Installation Instructions and RENEWAL PARTS IDENTIFICATION

SERVICE REFERENCE

DIVISION 4	SECTION HF
SALES REFERENCE (Supersedes PF411-9)	PF411-10
161-048940-001	
DATE FEBRUARY, 2001	

Portable Unit Blower Air Heater — Type HF

Specifications - Table A

Model Number	Model	Volts	Watts	Amps	Wiring Fig. No.	Plug Fig. No.
HF203G AC	C	120V1P	1,900	15.8	6	3
HF203G AC	C	240V1P	2,000	8.3	6	4
HF303H AC*	C	120V1P	3,000	25.0	7	—
HF303G AC	C	240V1P	3,000	12.5	7	3
HF403G AC	C	240V1P	4,000	16.7	7	5
HF203EG DC	E	120V1P	1,900	15.8	9	3
HF203DG DC	E	240V1P	2,000	8.3	8	4
HF303E DC*	E	120V1P	3,000	25.0	12	—
HF303DG DC	E	240V1P	3,000	12.5	11	4
HF403E DC**	E	240V1P	4,000	16.7	11	—

* Cord Only, no plug.

** Without Cord and plug.



Figure 1

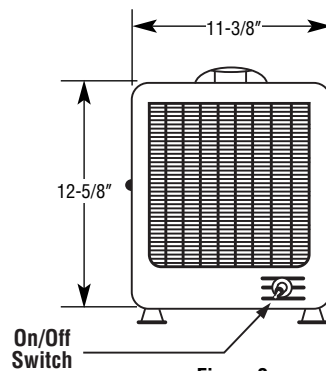


Figure 2

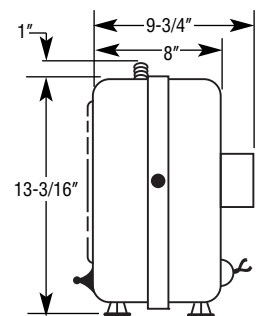


Figure 2A

GENERAL

⚠ WARNING

Hazard of Fire or Discoloration of Temperature Sensitive Fabrics. Keep combustible material and such fabrics away from heater. Do not operate heater where flammable vapors, gases or liquids are present. Heaters should not be operated in room temperatures above 80°F.

⚠ WARNING

Hazard of Electric Shock. Any installation involving electric heaters must be effectively grounded in accordance with the National Electrical Code. Use the required polarized wall receptacle that mates with the appropriate plug, referenced in Table A, shown in Figures 3, 4 or 5 (see Page 2).

To avoid personal injury read "IMPORTANT INSTRUCTIONS" on page 3 before installation or operation of heater.

WIRING

⚠ WARNING

Electric Shock Hazard. Heater case must be effectively grounded in accordance with the National Electrical Code to avoid hazard of electric shock.

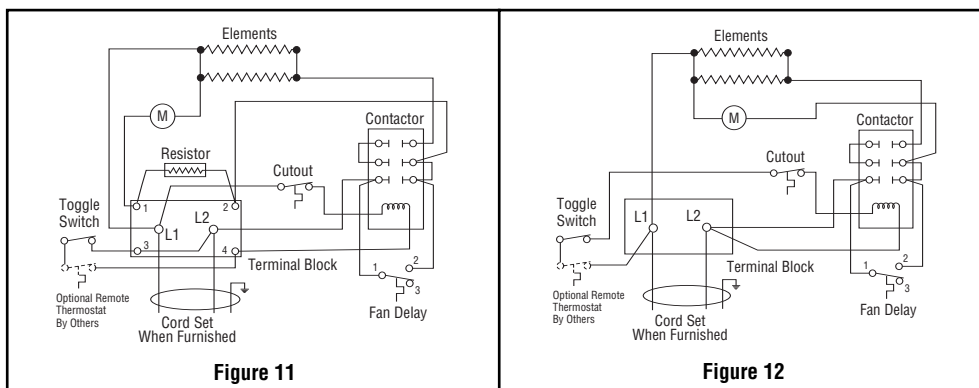
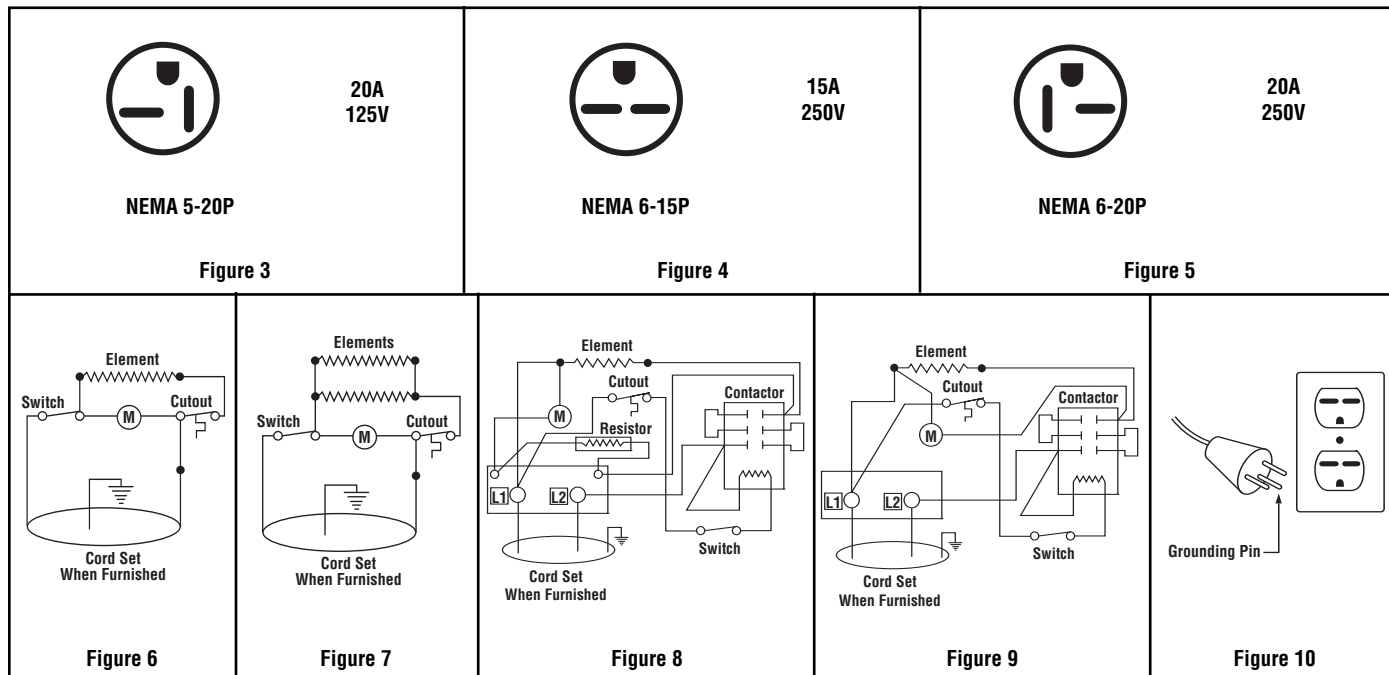
NOTE: All electrical wiring must be installed in accordance with the National Electrical Code and local codes by a qualified person.

1. This heater is for use on 120, 208 or 240 volts. (See heater nameplate.) The cord has a plug similar to one shown in

Figure 10. (Consult Table A for actual plug configuration.) No adapter is available for these blade type configurations, and none should be used.

An appropriate 20A @ 125V, 15A @ 250V or 20A @ 250V grounding outlet must be used. When properly installed, it provides a ground connection through the cord to the heater to protect the operator from electric shock.

2. Connect heater according to the voltage and frequency specified on the nameplate and using the appropriate wiring diagram (below).



MAINTENANCE

⚠ WARNING

1. **Hazard of Electric Shock. Disconnect all power before attempting to service this heater.**

Do not attempt to service heater while unit is operating as there is hazard of electric shock, injury from operating fan and burns from hot heating elements.

2. Following long periods of idleness, heater should be vacuumed before start-up, to remove accumulated combustible particles which otherwise may smoke or incinerate on initial heat up.
3. When heater is not in use, store in safe location to prevent heater and/or power cord damage.
4. HF heaters use permanently lubricated motors, do not attempt to lubricate.

IMPORTANT INSTRUCTIONS

When using electrical appliances, basic precautions should always be followed to reduce the risk of fire, electric shock and injury to persons, including the following:

1. Read all instructions before using this heater.
2. This heater is hot when in use. To avoid burns, do not let bare skin touch hot surfaces. If provided, use handles when moving this heater.

⚠ WARNING

Fire Hazard. Keep electrical cords and combustible materials, such as drapes and other furnishings, away from heater.

3. Extreme caution is necessary when any heater is used by or near children or handicap individuals and whenever the heater is left operating and unattended.
4. Always unplug heater when not in use.
5. Do not operate any heater with a damaged cord or plug or after the heater malfunctions, has been dropped or damaged in any manner. Return heater to authorized service facility for examination, electrical or mechanical adjustments, or repair.
6. Do not use outdoors.
7. This heater is not intended for use in wet or moist locations.

8. Do not run cord under carpeting. Do not cover cord with throw rugs, runners or the like. Arrange cord away from traffic area and where it will not be tripped over.
9. To disconnect heater, turn controls off, then remove plug from outlet.

NOTE: HF303E DC, HF303EG DC and HF403E DC heaters contain an integral fan delay. To de-energize these heaters, turn toggle switch to the off position and allow heater to run until fan stops, then remove plug from outlet.

10. Connect to properly grounded outlets only.
11. Do not insert or allow foreign objects to enter any ventilation or exhaust opening as this may cause an electric shock, fire or damage the heater.
12. To prevent a possible fire, do not block air intakes or exhaust in any manner. Do not use on soft surfaces, like a bed, where opening may become blocked.
13. Do not use it in areas where gasoline, paint or flammable liquids are used or stored.
14. Use this heater only as described in this manual. Any other use not recommended by the manufacturer may cause fire, electric shock or injury to persons.
15. This heater is not intended for use with an extension cord. Plug the cord directly into an appropriate wall receptacle.

RENEWAL PARTS IDENTIFICATION

Model Number	Model	Volts	Watts	Heating Element	Motor	Resistor	Contactor	Switch	Power Cord Set	Fan Delay	Fan Blade
HF203G (AC)	C	120	1,900	357-050025-011	193-302120-001	—	—	292-046123-001	075-510656-004	—	112-047282-002
HF203G (AC)	C	240	2,000	357-050025-002	193-302120-001	—	—	292-046123-001	075-510656-002	—	112-047282-001
HF303G (AC)	C	240	3,000	357-050025-005 (2)	193-302120-001	—	—	292-046123-001	075-510656-005	—	112-047282-001
HF303H (AC)	C	120	3,000	357-050025-006 (2)	193-302120-001	—	—	292-046123-001	075-510656-008	—	112-047282-002
HF403G (AC)	C	240	4,000	357-050025-002 (2)	193-302120-001	—	—	292-046123-001	075-510656-006	—	112-047282-002
HF203EG (DC)	E	120	1,900	357-050025-001	193-036526-004	—	072-057039-001	292-046123-002	075-510656-007	—	112-047282-001
HF203DG (DC)	E	240	2,000	357-050025-002	193-036526-004	236-047351-001	072-057039-002	292-046123-002	075-050028-006	—	112-047282-001
HF303E (DC)	E	120	3,000	357-050025-006 (2)	193-036526-004	—	072-057039-001	292-046123-002	075-050028-007	300-048038-001	112-047282-001
HF303DG (DC)	E	240	3,000	357-050025-005 (2)	193-036526-004	236-047351-001	072-057039-002	292-046123-002	075-050028-016	300-048038-001	112-047282-001
HF403E (DC)	E	240	4,000	357-050025-002 (2)	193-036526-004	236-047351-001	072-057039-002	292-046123-002	—	300-048038-001	112-047282-001

Parts Common to All Heaters

Cutout	300-049200-004
Handle	139-050027-001
Rubber Feet	125-013031-002 (4)

NOTE: Parts suffixed by a number () indicates quantity used.

Limited Warranty:
Please refer to the Chromalox limited warranty applicable to this product at
<http://www.chromalox.com/customer-service/policies/termsofsale.aspx>.

Chromalox[®]
PRECISION HEAT AND CONTROL

2150 N. RULON WHITE BLVD., OGDEN, UT 84404
Phone: 1-800-368-2493 www.chromalox.com